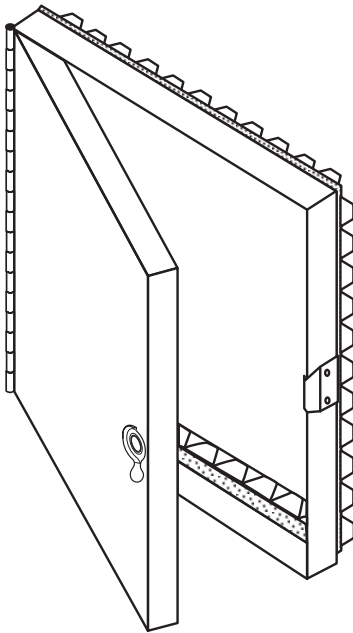


**Model HAD-G**



**Model HAD**

## SPECIFICATIONS

- 22 gauge galvanized steel frame.
- 26 gauge galvanized steel double-wall door.
- 1" (25) thick fiberglass insulation.
- Zinc plated continuous piano type hinge (HAD models only).
- Door-to-frame & frame-to-duct foam gasket.
- HAD models with 'B' ≤ 14" (356) have one lock, doors with B > 14" (356) have two locks.
- CAD models with 'B' ≤ 14" (356) have two locks, doors with B > 14" (356) have four locks.
- Outside frame size fits hole 1" (25) smaller than door size.
- Maximum static pressure is 3" (76) w.g. for sizes up to 12" x 12" (305 x 305) and 2" (51) w.g. on larger units.
- Minimum size is 6"w x 6"h (153 x 153).
- Maximum size is 24"w x 24"h (609 x 609).

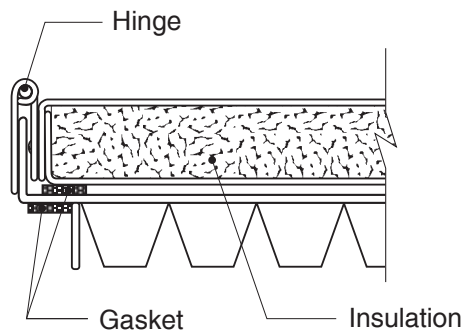
## OPTIONS

- 22 Gauge galvanized steel door.
- Closed cell neoprene gasket.
- Extra locks.
- Stainless steel construction: 304
- Ventlock #100 latch.
- See-thru door panel:
 

|       |                          |
|-------|--------------------------|
| HAD-G | <input type="checkbox"/> |
| CAD-G | <input type="checkbox"/> |
- 1" Flanged frame:
 

|       |                          |
|-------|--------------------------|
| HAD-F | <input type="checkbox"/> |
| CAD-F | <input type="checkbox"/> |
- 1" Dovetails for fiberglass duct
- Frame for fiberglass duct
 

|        |                          |
|--------|--------------------------|
| HAD-FD | <input type="checkbox"/> |
| CAD-FD | <input type="checkbox"/> |



**Door side view**

### WINDOW SIZES

| Door Size (Inches) | Window Size (Inches) |
|--------------------|----------------------|
| 8"                 | 3" Dia.              |
| 10"-14"            | 6" Dia.              |
| 16"-up             | 9" Dia.              |

Access Doors DRHAD March 2004

Information is correct at time of printing. However, we reserve the right to make changes without notice. **NOTE:** Dimensions in parentheses ( ) are millimeters.