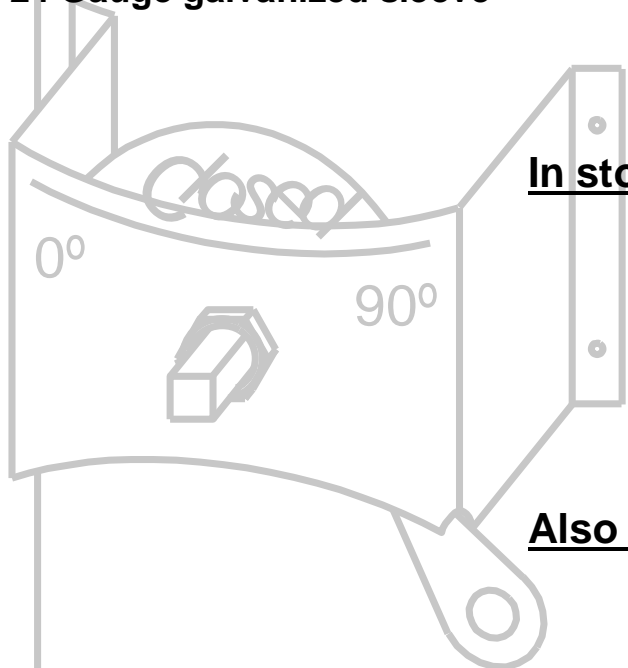




Manual Control Volume Dampers

Fully Assembled Manual Control Dampers

- Continuous 3/8" Square Aluminum Rod
- Aluminum end bearing with rubber O-ring and spring steel retaining ring.
- 1 1/2" Standoff (18 Gauge galvanized)
- Locking quadrant with Nylon Bushing
- 18 Gauge galvanized damper blade – Stamped for extra rigidity!
- 24 Gauge galvanized sleeve



In stock:

- Round, from 6" to 14" diameter (Even Sizes)
- Fully assembled
- Crimp x Raw
- 24 Gauge Sleeves

Also available in:

- Larger diameters
- Rectangular sleeves
- Oval Sleeves
- Internally lined pipe
- Heavier Gauges

5200 E. La Palma
Anaheim, CA 92807
(888) Eco-Duct (326-3828)
Fax: 714-970-3976

URL: www.ecoduct.com
Email: Sales@ecoduct.com

21005 Cabot Blvd.
Hayward, CA 94545
(510) 670-0326 Phone
(510) 670-0384 Fax